

FCD Series

Three Phase External Power Line Filter for Frequency Converters

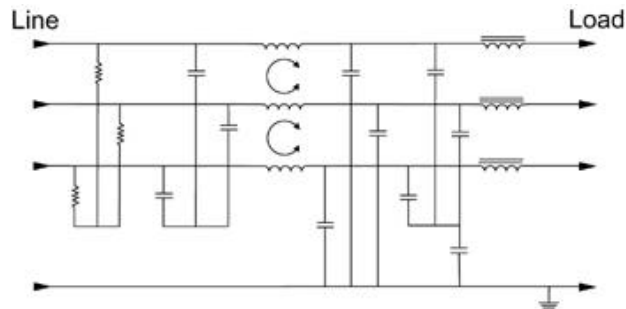
FCD Series

The FCD filters provide three phase filtering for frequency inverters and variable speed motor drives. Designed for very noisy Delta applications, they attenuate conducted interference at low and high frequency ranges and protect programmable logic controllers from RF noise on the AC power line. These filters perform best when installed on the line side of the motor drive. The FCD filters prevent noise from returning to the line, enabling equipment to meet strict European regulations on RFI.

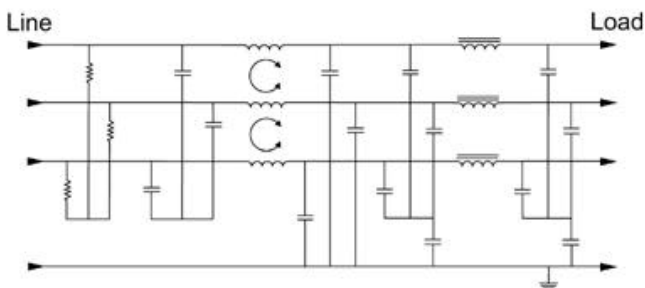
Suited for field wiring applications, these filters are ideal for EMC troubleshooting and field refurbishing. The FCD filters feature side flanges for easy mounting and DIN type terminals which eliminate live metal parts, allowing safe and easy connection. They could also be sold as an accessory to motor drives marketed into Europe.

Electrical Schematics

6 Amp



16, 25, 36 & 50 Amps



Resistor location for reference only.



FCD10

Specifications

	6 Amps	16, 25, 36, 50 Amps
Maximum leakage current, each line-to-ground @ 120 VAC 60 Hz:	2.9mA	5.7 mA
@ 250 VAC 50 Hz:	4.9mA	9.8 mA

Hipot rating (one minute):

line-to-ground	2250 VDC
line-to-line	1450 VDC

Operating frequency:

50/60 Hz

Rated voltage:

440 VAC phase-to-phase
250 VAC phase-to-neutral/ground

Rated current:

@ 440 VAC phase-to-phase

6FCD	6 Amps
25FCD	25 Amps
36FCD	36 Amps
50FCD	50 Amps

Typical insertion loss in dB:

Line-to-ground in 50 ohm circuit

Current Rating	Frequency-MHz								
	.01	.03	.05	.1	.5	1	5	10	30
6FCD10	2	14	23	39	56	52	48	45	33
16FCD10	13	30	36	45	75	75	52	45	35
25FCD10	13	30	36	45	75	75	52	45	35
36FCD10	9	26	32	40	75	75	52	45	35
50FCD10	9	26	32	40	75	75	52	45	35

Line-to-line in 50 ohm circuit

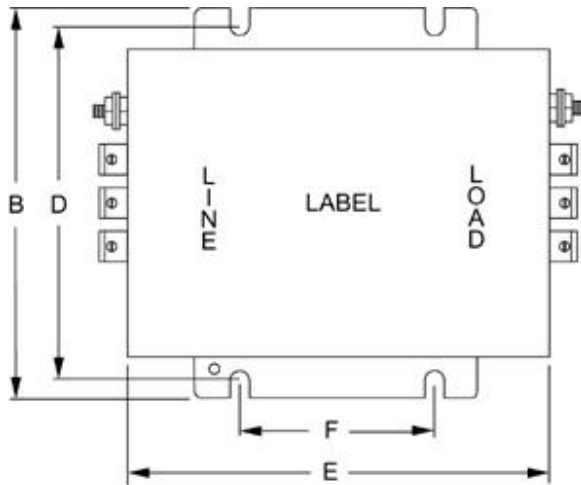
Current Rating	Frequency-MHz								
	.01	.03	.05	.1	.5	1	5	10	30
6FCD10	9	8	24	40	62	57	50	48	38
16FCD10	9	13	24	55	75	75	75	65	60
25FCD10	9	13	26	55	75	75	75	65	60
36FCD10	9	13	26	46	75	75	75	65	60
50FCD10	9	13	26	46	75	75	75	65	60

Series FCD

Case Style

Metric shown in italics.

FCD10



6FCD10, 16FCD10

Phoenix contact VDFK4
Accepts 10 AWG solid wire, 12 AWG stranded wire
Torque Spec: 5.5 - 7.0 in.lb.

25FCD10, 36FCD10

Phoenix contact VDFK6
Accepts 8 AWG solid wire, 10 AWG stranded wire
Torque Spec: 13.5 - 16 in.lb.

50FCD10

Phoenix contact HDFK10-VP
Accepts 6 AWG solid wire, 8 AWG stranded wire
Torque Spec: 13.5 - 16 in.lb.

Note: Terminals: No. 8-32 (2)

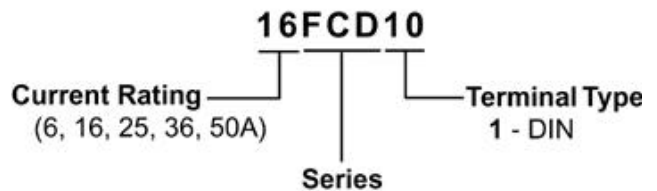
Case Dimensions

Metric shown in italics.

Part No.	A (max)	B (max)	C (max)	D	E (max)	F
6FCD10	6.0 <i>152.4</i>	4.3 <i>109.2</i>	2.3 <i>58.4</i>	3.74 <i>95.0</i>	5.15 <i>128.3</i>	2.756 <i>70.0</i>
16FCD10	7.20 <i>182.9</i>	5.48 <i>139.2</i>	2.55 <i>64.8</i>	4.92 <i>124.97</i>	5.94 <i>150.9</i>	2.756 <i>70.0</i>
25FCD10	9.69 <i>246.13</i>	6.3 <i>160.0</i>	2.52 <i>64.0</i>	5.7 <i>144.78</i>	8.46 <i>215.0</i>	4.528 <i>115.01</i>
36FCD10	9.69 <i>246.13</i>	6.3 <i>160.0</i>	2.52 <i>64.0</i>	5.7 <i>144.78</i>	8.46 <i>215.0</i>	4.528 <i>115.01</i>
50FCD10	9.69 <i>246.13</i>	6.3 <i>160.0</i>	2.52 <i>64.0</i>	5.7 <i>144.78</i>	8.46 <i>215.0</i>	4.528 <i>115.01</i>

Ordering Information

Consult your local Corcom sales representative for pricing.



Available Part Numbers

6FCD10
16FCD10
25FCD10
36FCD10
50FCD10